

A close-up photograph of a welding process, showing bright blue and white sparks flying from a point of contact. The background is dark, making the sparks stand out.

RAIL/ROAD VEHICLES
RAILTRAILERS
SPECIALS
MACHINE COMPONENTS



INTRODUCTION	3
RAILTRAILERS	4
SELFPROPELLED TRAILERS	6
MODULAIR	7
TRACKED RAILEXCAVATORS	8
RAILROAD EXCAVATORS	10
RAILWAY DUMPERS	12
RAILROAD ATV	14
MANIRAIL	16
LIFTS AND RAILROAD WORK PLATFORMS	18
TRACK WHEELS, CONVERSION KITS, AND OTHER MACHINE COMPONENTS	19
CONTACT DETAILS	20



INTRODUCTION

There is nothing better than creating solutions for our customers, developing these into high-quality products and supplying custom-made machines. We have been doing this for more than 25 years with a great team of professionals. Whether in the region or on the other side of the world, our enthusiasm is always at the heart of what we do. This philosophy, combined with a belief in cooperation, is also the reason why we rarely take no for an answer. We are convinced that by seeking cooperation with other specialists, the end result will always be better. This is how AMT Group responds to modern market requirements with innovative solutions. The market is always on the move and it is therefore an art to anticipate this as well as possible. We have a clear vision of the transition that is taking place in our industry. Electrification, robotisation and digitalisation are all developments that we are busy with so that we can prepare our customers for the future.

The group has three divisions, each with its own specialism:

- **Rail Road**
- **Projects**
- **Manufacturing**

These companies work together extensively and synergistically, so that our customers can count on the AMT Group as the 'one-stop shop' for all their technical needs. AMT Group manufactures a wide variety of products.

AMT Rail Road develops, manufactures and delivers unique tools for on and around rail tracks. The machines are developed together with you and built according to your specifications, requirements and stated legislation and regulations. Machines such as road-rail vehicles (small crane trolleys and dumpers), trailers and the Transformer can be used on various track gauges, and fitted with braking systems and other options. Our standard products are presented in this catalogue.

AMT Projects builds complete machines and production installations and delivers them turnkey. AMT Manufacturing produces various types of machined parts or components in quantities ranging from a single part to mass production.

AMT Group works for numerous companies operating regionally, nationally, and internationally. We focus on producing and delivering flawless products and place great importance on the quality of the customer relationship and our after-sales service.

For more information about our services and/or products or if you have any questions, please contact us on +31 (0)76 501 59 12 or info@amtgroup.nl

Sven Elst, Marc Weytens and Paul Weytens
AMT Group B.V.



RAILTRAILERS

DESCRIPTION

AMT railtrailers are designed to allow you to work as efficiently as possible. The trailers are built according to customer specifications. The compact, low construction and low unladen weight allows for optimal use of the capacity. The robust frame, heavy-duty bearings, and reliable brakes ensure minimum maintenance requirements.

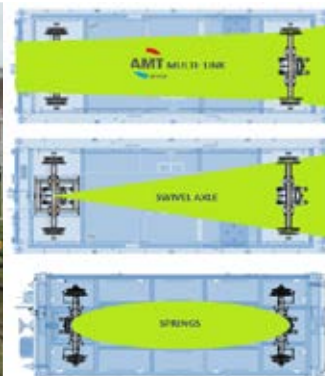
All railtrailers have been designed in compliance with the European legal requirements set out in EN 15954. The construction of any wagon is in accordance with applicable national guidelines. (such as TCVT, Infrabel, TSA, BAV, SNCF, EBA & DB Netz).

All our vehicles are equipped with an approved braking system. These braking systems can be regulated hydraulically as well as pneumatically.

Our railtrailers come standard equipped with various lifting and hauling eyes, a towing bar, Braking/ Lampbrackets, Twistlocks and a tool storage box.

In addition to the standard flatbed design, a lowered bottom (300mm), or container wagon with turntable are also optionally available. Additional support legs and hydraulic operation are also options.

Various standard railtrailers in stock.





SPECIFICATIONS AND OPTIONS

Basic

- 4 x 2m, 5 x 2m, 6 x 2.45m
- Twistlock connectors (20" or acc. spec)
- Fail safe brakesystem (air or hydraulic up to 60 %)

Proposed use

- Flat with stakeholes for materials
- Lowloader for high transport container
- Machine transport with ramps and outriggers
- Standard Container 20" Twist Lock
- ACTS containers on rotating system
- 1 to 3-side dumpers
- Containers with conveyer systems
- Dry concrete mix installations
- Person transport
- Pebble distribution units

Additional options

- Combination brakes (Hydraulic and Pneumatic)
- Lights
- Removable side panels
- Demountable sides or Container
- Hydraulic Power Packs 1
- (Hydraulically) operated outriggers
- Aluminium ramps
- Passenger and platform stairs
- Easy exchangeable tram or metre axles

Wheeldiameter	Height	Weight
420 mm	550 mm	1,650 - 14,000 kg
420mm	550 mm	2,600 - 20,000 kg
530 mm	620 mm	3,300 - 25,000 kg
560 mm	670 mm	3,500 - 29,000 kg





SELF-PROPELLED TRAILERS

DESCRIPTION

AMT's self-propelled rail trailers are modularly designed. As a result, almost all options are interchangeable with the non-driven rail trailers. The trailers have two or four hydrostatically driven wheels with fail-safe brakes.

The rail trailers have a maximum speed of 20 km/h and are suitable for up to a 60% grade.

The self-propelled rail trailer can push or pull a second rail trailer.



SPECIFICATIONS & OPTIONS

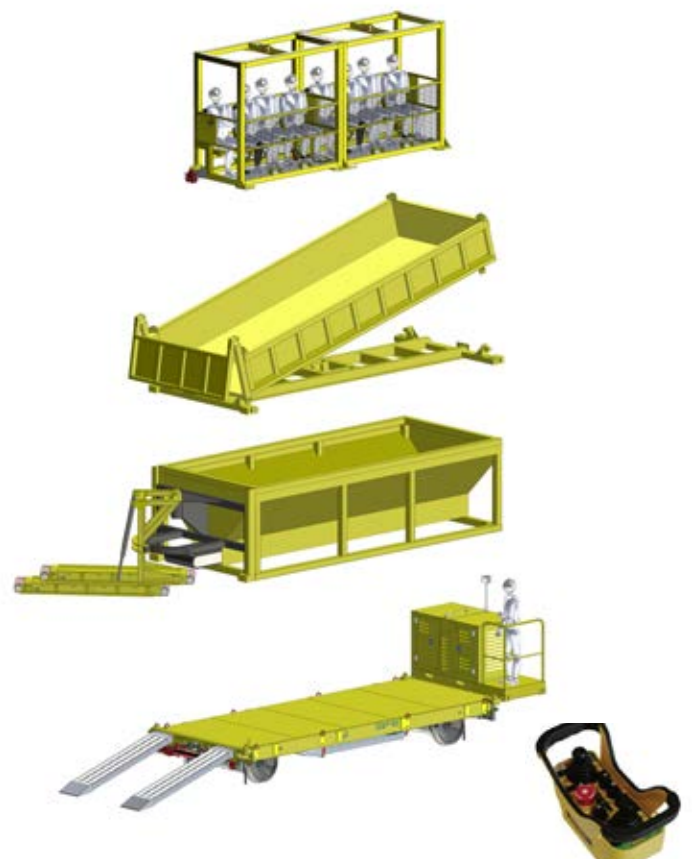
Basic

- 6 x 2.45m
- Twistlock connectors (20" or customized)
- Fail-safe brakes (pneumatic or hydraulic)
- Direct hydrostatic control

Options

- HPU up to 129 kW Diesel or 100% ELECTRIC
- Expandable with hydraulic functions
- Wireless control (SIL 2)
- Trailer brake system (hydraulic and pneumatic)
- Rail trailer coupler
- Removable side panels
- Hydraulically operated outriggers
- Aluminium ramps
- Covered operator station
- Exchangeable tram or metre axles

Wheel diameter	Floor height	Max. total weight
500 mm	650 mm	20,000 kg
650 mm	750 mm	29,000 kg





MODULAR TRAILER

DESCRIPTION

Together with our Swiss partner AMT developed a special railtrailer which is modular for transporting special vehicles or loads on the rail.

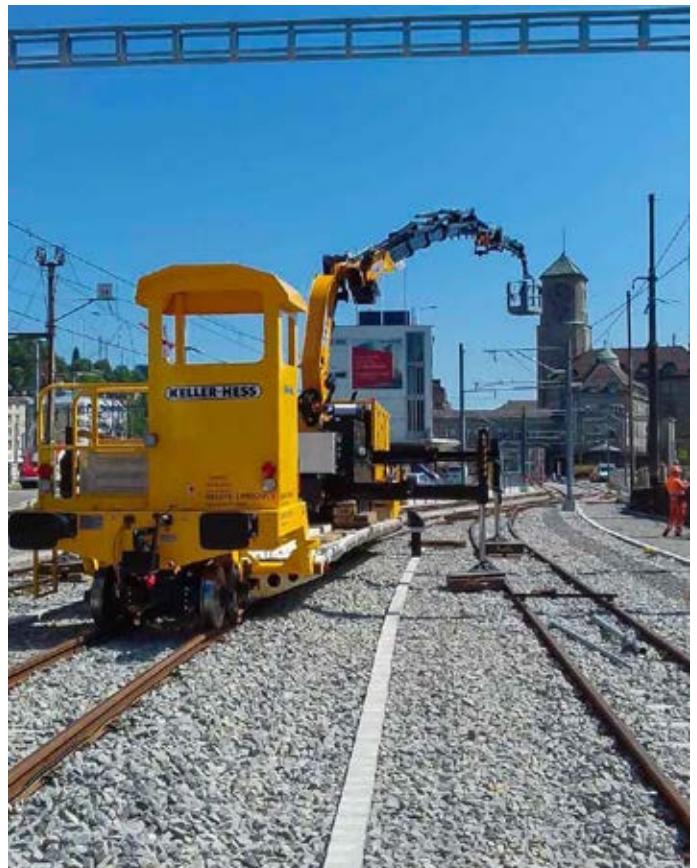
The front and rearside are demountable so you can easily drive vehicles on top. The low midsection is interchangeable. (Measurement up to 12 x 2.8 m and a payload up to 45 Tonne) Fully approved air brake system.

The advantage of this design is that you can use your road vehicles in original state with the maximum payload on the road.

SPECIFICATIONS & OPTIONS

- Self-propelled or towed (trailer)
- HPU up to 169 kW
- Expandable with hydraulic functions
- Trailer brake system (hydraulic and pneumatic)
- UIC coupler
- Hydraulically operated outriggers
- Aluminium ramps
- Exchangeable tram or metre-gauge rail axles

Wheel diameter	Floor height	Max. total weight
650 mm	700 mm	59,000 kg





TRACKED RAIL EXCAVATORS

DESCRIPTION

The versatile 85RR (10T) & 145RR (20T) crawler excavators are equipped with a fixed mounted hydraulic rail system. Suited for narrow, normal and tram track with only one wheel swap.

Due to their compact construction and short counterweight, these machines can be used almost everywhere.

Four-wheel drive (9A) and four-wheel brakes make it capable of operating at a maximum speed of 20 km/h and with perfect grip for grades up to 60‰ and higher. The front of the machine has a swing axle that can be switched automatically and manually for maximum stability.

All the functions such as lifting and lowering of the rail gear are simple and intuitive to operate through a single operating screen. The current status of the rail gear, RCI and options such as a camera system are also displayed on the screen. With a cloud module, you are able to access the machine from anywhere to perform service, monitor the systems and update the machine.

The rail gear is designed and built according to EN15746. Final assembly complies with the national guidelines such as TCVT, Infrabel, TSA, BAV.

Our next generation proven rail solutions ensure a reliable machine with low maintenance.





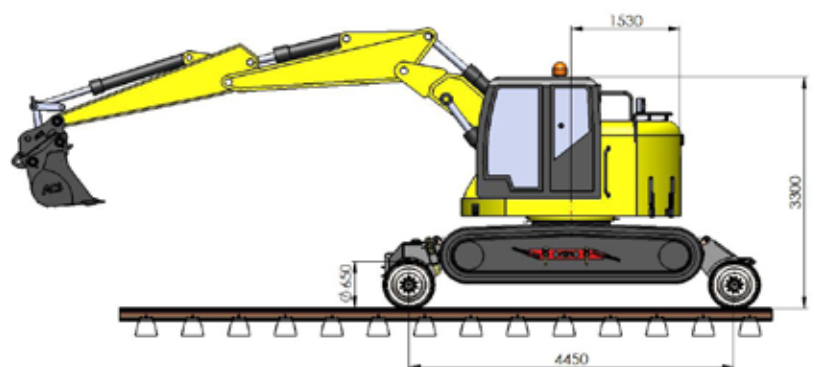
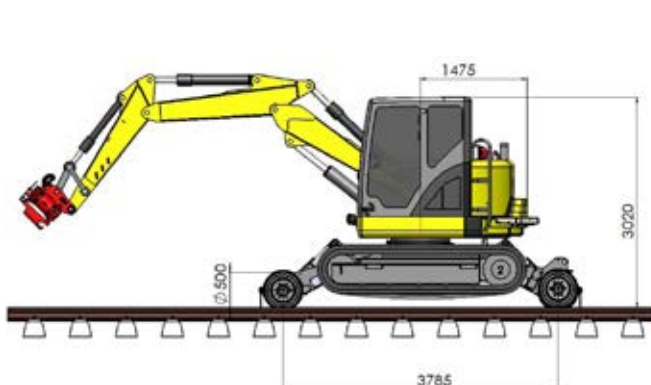
SPECIFICATIONS AND OPTIONS

Basis

- Single control screen
- Integrated RCI control
- Integrated Height and Slew limiter
- Short swing radius <1570 mm
- All cylinders are fitted with position monitoring
- Rockinger trailer coupler at front and rear
- Automatic track lighting and switchable work lights
- Co-driver seat or stand with emergency controls
- Safety equipment
- Emergency handpump for profile and brake release
- 660 Hz air horn and flashing light
- Up to 60 ‰ grade and 50 m radius
- Direct four-wheel drive and brakes
- Wheel swap system for narrow, standard & tram gauge

Options

- Emergency brake system up to 80 ‰
- Hydraulic supports
- Central lubrication
- Pneumatic or hydraulic brake system for rail trailers
- Mobile Elevating Working Platform
- Quick-change system, tilt rotator and attachments





RAILEXCAVATORS

DESCRIPTION

The TW160,165 (20T) and TW180 (22T) are fitted with an extremely stable and robust rail gear system Permanently mounted with optional quick change system for narrow, normal and tram tracks.

Due to their compact construction and short counterweight, these machines can be used almost everywhere.

The machines can be used as a high (9B) and low (9C) on the railtrack. Optionally, the machine can be equipped with hydrostatic axles (9A). The front of the machine has a swing axle that can be switched automatically and manually for maximum stability.

All the functions such as lifting and lowering of the rail gear are simple and intuitive to operate through a single operating screen. The current status of the rail gear, RCI and the optional camera system is also displayed on the screen. With a cloud module, you can access the machine from anywhere to perform service and update the machine.

The rail gear is designed and built according to EN15746. Final assembly complies with the national guidelines such as TCVT, Infrabel, TSA, BAV.

Our next generation proven rail solutions ensure a reliable machine with low maintenance.





SPECIFICATIONS AND OPTIONS

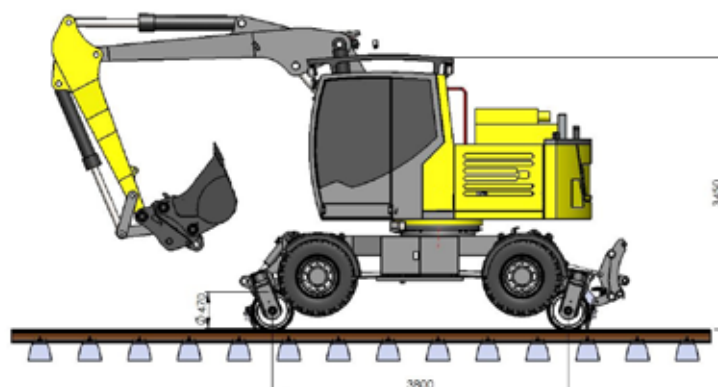
Basic

- Single control screen
- Integrated RCI control
- Integrated Height and Slew limiter
- Short swing radius 1570 – 1690 – 2000mm
- All cylinders are fitted with position monitoring
- Possibility to use the machine as 9B or 9C
- Rockinger trailer coupler at front and rear
- Automatic track lighting and switchable work lights
- Co-driver area in modern double cabin with emergency controls
- Safety equipment
- Hand pump for profile emergency release
- 660HZ air horn and beacon
- Up to 60 % incline and 80 m radius

Options



- 100% ELECTRIC
- Hydraulic drive (9A)
- Hydraulic supports
- Pneumatic or hydraulic brake system for rail trailers
- Mobile Elevating Working Platform
- Quick-change system, tilt rotator and attachments
- Quick-change system for narrow, standard, tram gauge





RAILWAY DUMPERS

DESCRIPTION

AMT railway dumpers combine performance and safety for maximum efficiency.

The compact design allows the machine to be used on and off track.

The rail axles can be lifted and lowered independently via the 4.3" or 7" Wachendorf display. The current security functions of the track layout and the camera are also displayed on the screen. These systems enable the railway dumpers to be on track in less than a minute.

The railway axles are positioned at the front and back for maximum stability. All machines are constructed to allow switching between standard, tram, and metre gauge.

The railconversion is constructed according to EN15746 and can therefore be used on decommissioned railway tracks. Assembly overlaps national guidelines such as TCVT, Infrabel, BAV, DB.





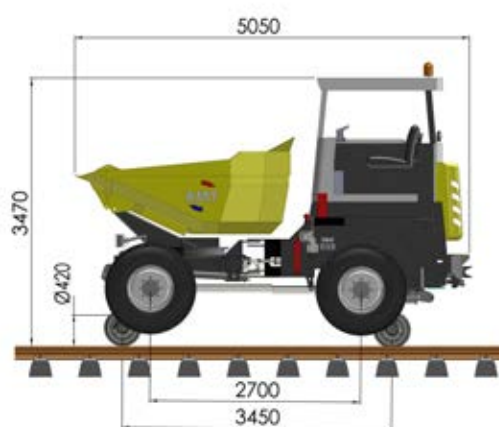
SPECIFICATIONS AND OPTIONS

Basic

- 4.000 - 12.000kg dumper
- All cylinders are fitted with position monitoring and protective covers
- Rockinger trailer coupler at front and rear
- Automatic track lighting
- Co-driver area with emergency controls
- Safety equipment
- Hand pump for profile emergency release
- 660 Hz air horn and flashing light
- Up to 60 % grade and 50 metre radius
- Quick-change system for metre, standard, tram gauge

Options

- Hydraulic drives
- Pneumatic or hydraulic brake system for rail trailers
- Enclosed cab





RAILROAD ATV

DESCRIPTION

AMT railroad ATV's are designed to make work on and around the track easy and more efficient.

ATV's are already in use for a long time for working in rough terrain such as water and forest management.

Operating the machine is very simple, the technique is robust and the maintenance level is low.

The AMT ATV is suitable for 2 to 6 persons and small loads due to the loading platform (1000x500mm). The vehicle provides easy access, and is ready for action on railtrack within a minute. Hydraulic powered railaxles and electrical safety display.

Due to its low weight, the ATV can be transported on a small car trailer or van.

The ATV can be equipped with 2 light aluminium lorries (with load capacity of 400 kg or 2 seats each).

The railroad ATV's are designed in according to the European legal requirements set out in NEN EN 15746.

With a free space according to the G1-G2 the AMT railroad ATV doesn't interfere with infrastructure and is almost everywhere ready to use.

The ATV can be powered 100% electrically, with petrol or diesel engine.





SPECIFICATIONS AND OPTIONS

Basic

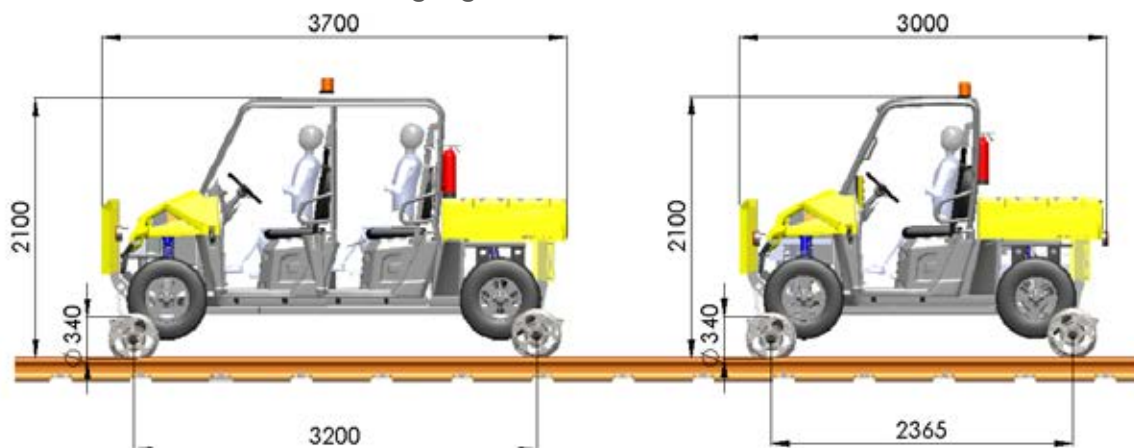
- Buggy or quad
- Speed limitation at 20 km/h
- LED lighting and optional work lighting
- Electronic monitoring on railwheels
- Maximum traction (in combination with AWD)
- Applicable in almost every structure gauge
- No rubber in contact with track
- No interfering with the infrastructure
- Maximum traction (in combination with AWD)
- To be transported in a van or trailer

Proposed use

- passenger transport (up to 6 people)
- Inspections and measurements
- Lifting and transporting loads
- Cleaning and de-rusting rail
- Minor maintenance
- As rescue/ emergency system

Advantages

- Flexible
- Low purchase costs
- Low maintenance costs
- Low fuel consumption (1:15)/100% ELECTRIC
- Suitable for normal, tram and metre gauge





MANIRAIL

DESCRIPTION

This multi-functional, 360-degree rotating telescope machine offers the user a means of transport, telescopic handler, MEWP and hoisting crane all in one. The compact rail conversion ensures that the machine has a maximum working range. A comprehensive control system with built-in safety and control functionalities provides ergonomic operation.

The hydraulic four-wheel (9A) drive ensures a perfect grip during acceleration and deceleration on the track. The machine operates up to a maximum slope of 60 promille. The rail conversion also has an automatic leveling device, so that work can be done safely even from tracks with a large cant up to 200mm.

The MANIRAIL makes it possible to use a number of different work platforms. The machine has an integrated, adjustable height and swivel limit. Additionally, it uses the original RCI so that other original Manitou tools can be added to the machine. With a cloud module, one can access the machine from anywhere to perform service, updates and read out notifications about the status of the vehicle.

Controls can be easily switched from the cab to the work platform. From the safety cage, it is possible to have the machine go up to ten kilometres per hour. During work, the speed of the machine is limited to five kilometres per hour.

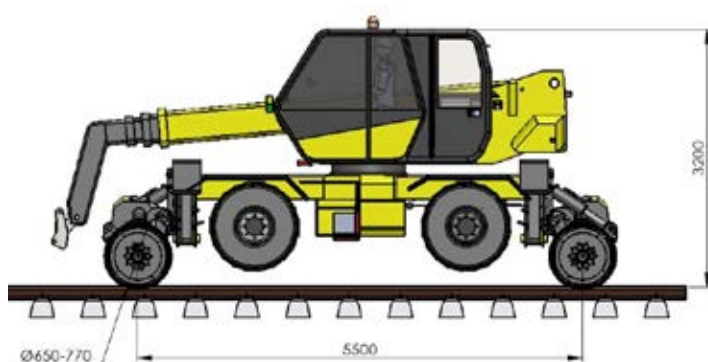




SPECIFICATIONS AND OPTIONS

Technical specifications

- Max. rail speed 19 km/h
- Max. road speed 30 km/h
- Speed during work 1-2 km/h
- Lifting height 14/ 16/ 18 m
- Track 1435 mm / 1485
- Track wheels 640 mm UIC - MIX - C
- Empty weight 20t
- Max. weight 24t
- Trailer load 25t
- Brakes hydraulic
- Lifting capacity 4t
- Trackprofile G1-G2 (standard)
Prepared for multigauge 250 mm
- Swivel axle work mode 3° or 6°
- Max. incline transport 8°/200 mm
- Max. superelevation work mode 3°
- Max. superelevation work & transport: 3°
- Max. superelevation 12,5 m/s
- Max. wind speed 2
- Number of persons 2
- Type approval EN 15746 1-2 & EN 280



Almost all standard Manitou tools can be integrated in the rail conversion:

- Fork carriage 4000 kg
- Rotating forks 2000 kg
- Hoisting winch 2000 kg
- Hoisting jib 1200 - 4000 kg
- Aerial working platform with jib 300 kg
- PSE4400 working platform 850 kg



AERIAL PLATFORMS

DESCRIPTION

Aerial lift

This aerial lift is suitable for use by 2 people or 250 kg. The aerial lift arm is easy to connect to the quick change system. Operation is protected by cat. 3 load monitoring. Assembly with an AMT railsystem is in accordance with EN280.





RAILWHEELS, CONVERSION KITS AND OTHER MACHINE COMPONENTS

DESCRIPTION

Some jobs require special modifications. Whether it is a complete reconstruction, an upgrade, overhaul or reprofiling, or supplying new parts or special tools - at AMT you can find it all. In addition, we are ISO 9001 and EN15085-2 CL1 certified. This means that our quality is guaranteed and that we design and manufacture according to these standards.

AMT is your partner with an established name. In addition to track and railway vehicles, we also develop and build special machines, robots, and automated systems, machined parts, and production tools.

All our finished products have one thing in common: they are custom-built.

During the manufacturing process our engineers also act as the project manager, keeping the lines of communication between design and implementation short and ensuring the customer has a single point of contact for any question.

After delivery, we offer you the service you can expect from us, such as (preventive) maintenance, fast delivery of spare parts and emergency repairs on location.

If you are interested in our services and/or our products or if you have any questions, please contact us on +31 76 5015912 or info@amtgroup.nl



CONTACT



SVEN ELST

+31 (0)641326189
seslst@amtgroup.nl

MARC WEYTENS

+31 (0)65 124 3129
mweytens@amtgroup.nl

GENERAL ENQUIRIES

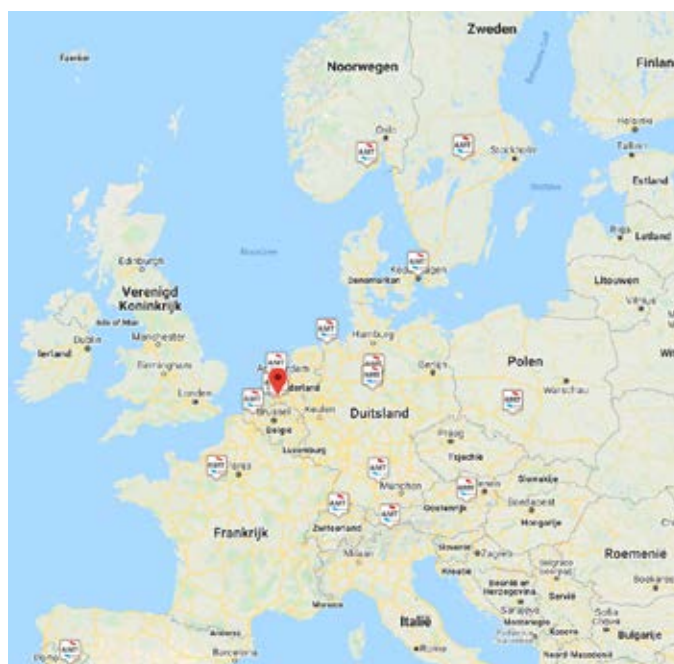
+31 (0)76 501 59 12
info@amtgroup.nl

CORPORATE DETAILS

AMT Rail Road
Rithmeesterpark 11
4838 GZ Breda
The Netherlands
+31 (0)76 501 59 12

BTW NL853882460B01
KVK 60375388

www.amtgroup.nl



SALES PARTNER

